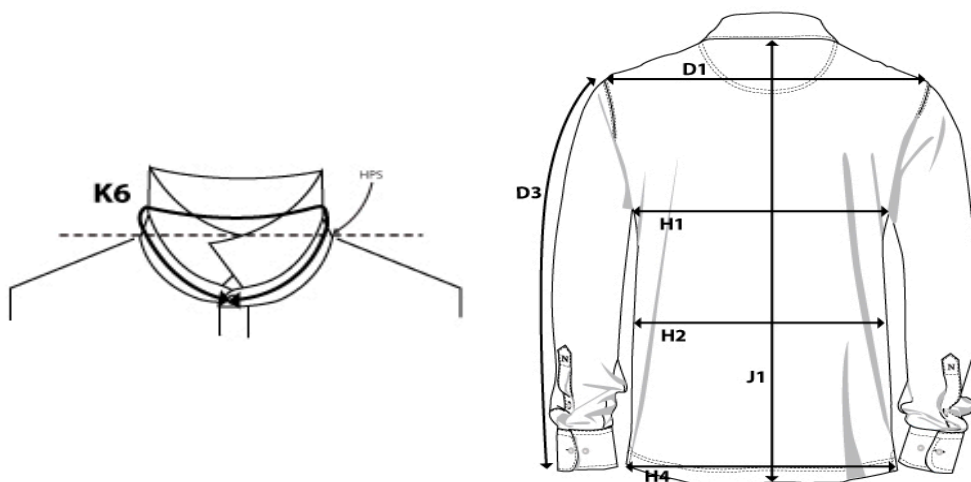
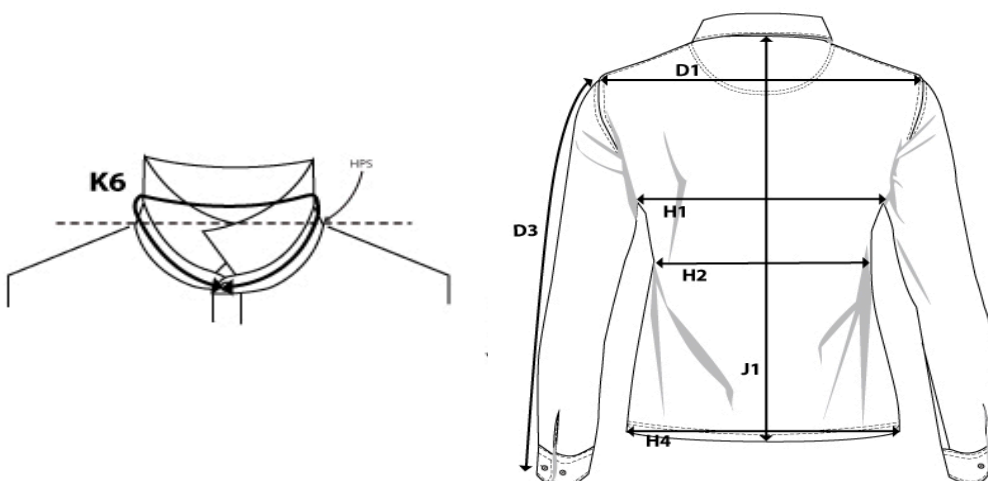


## SIZE AND FIT: CARLINGTON



### CARLINGTON Mens

| Measurement (in cm)                | Diagram | S  | M           | L  | XL   | XXL | 3XL  | 4XL |
|------------------------------------|---------|----|-------------|----|------|-----|------|-----|
| SHOULDER TO SHOULDER               | D1      | 42 | <b>43,5</b> | 45 | 46,5 | 48  | 49,5 | 51  |
| SLEEVE LENGTH - from shoulder seam | D3      | 66 | <b>67</b>   | 68 | 69   | 70  | 71   | 71  |
| CHEST WIDTH at armhole             | H1      | 47 | <b>50</b>   | 53 | 56   | 59  | 62   | 65  |
| WAIST                              | H2      | 46 | <b>49</b>   | 52 | 55   | 58  | 61   | 64  |
| BOTTOM WIDTH                       | H4      | 46 | <b>49</b>   | 52 | 55   | 58  | 61   | 64  |
| FULL LENGTH at centre back         | J1      | 68 | <b>70</b>   | 72 | 74   | 76  | 78   | 78  |
| NECKLINE CF to CF                  | K6      | 38 | <b>40</b>   | 42 | 44   | 46  | 48   | 50  |



### CARLINGTON Ladies

| Measurement (in cm)                | Diagram | XS | S  | M         | L  | XL | XXL |
|------------------------------------|---------|----|----|-----------|----|----|-----|
| SHOULDER TO SHOULDER               | D1      | 34 | 35 | <b>36</b> | 37 | 38 | 39  |
| SLEEVE LENGTH - from shoulder seam | D3      | 59 | 60 | <b>61</b> | 62 | 63 | 64  |
| CHEST WIDTH at armhole             | H1      | 39 | 42 | <b>45</b> | 48 | 51 | 54  |
| WAIST                              | H2      | 35 | 38 | <b>41</b> | 44 | 47 | 50  |
| BOTTOM WIDTH                       | H4      | 39 | 42 | <b>45</b> | 48 | 51 | 54  |
| FULL LENGTH at centre back         | J1      | 62 | 64 | <b>66</b> | 68 | 70 | 72  |
| NECKLINE CF TO CF                  | K6      | 36 | 37 | <b>38</b> | 39 | 40 | 41  |